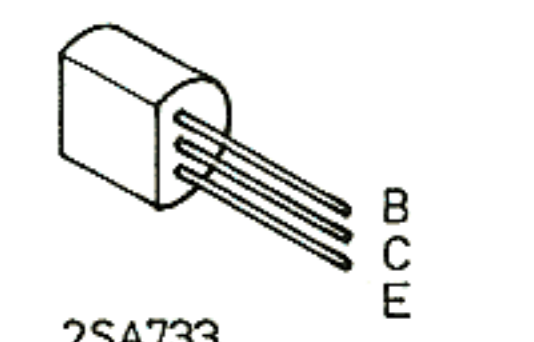
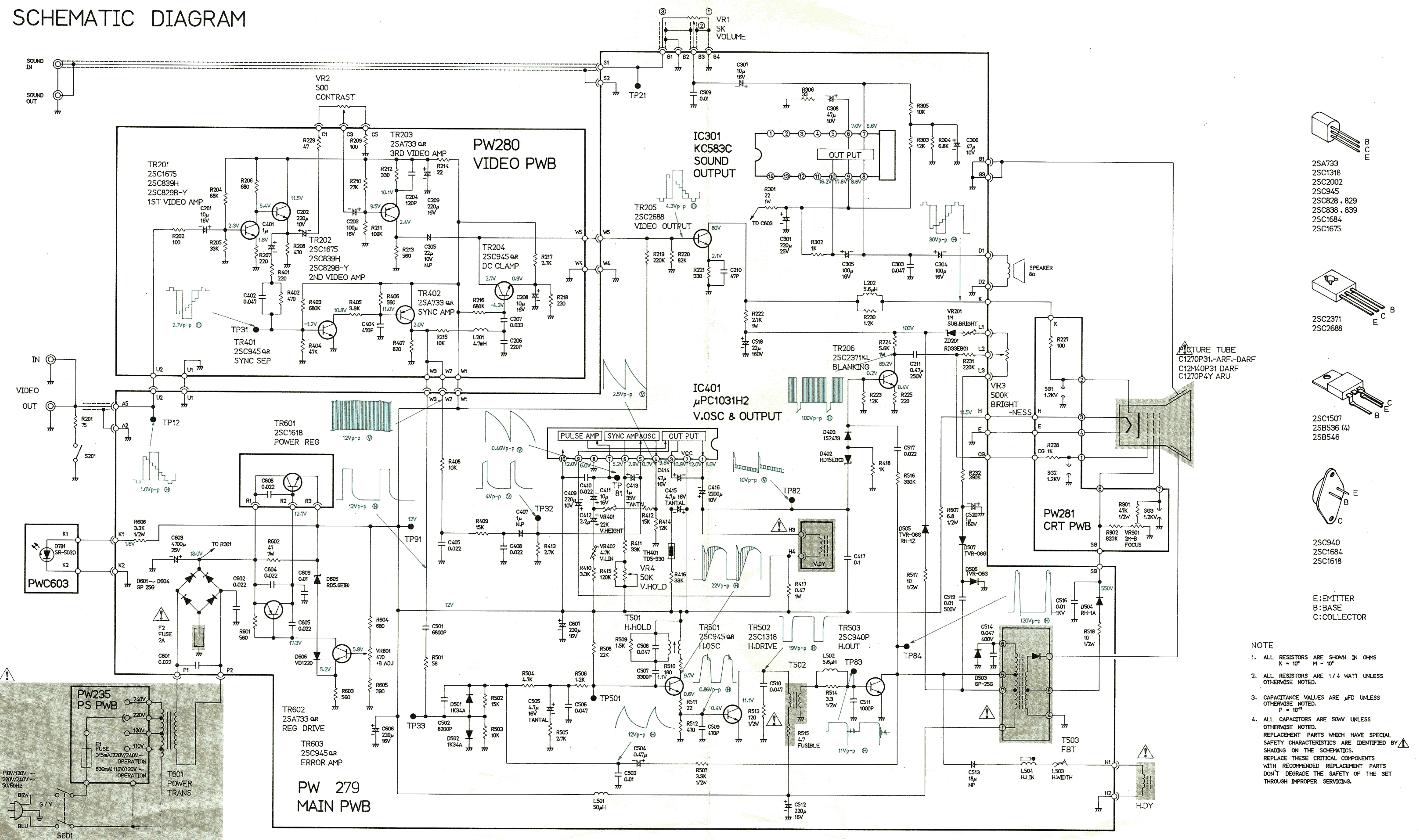
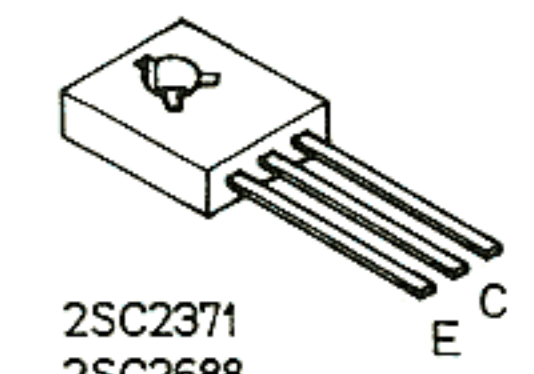


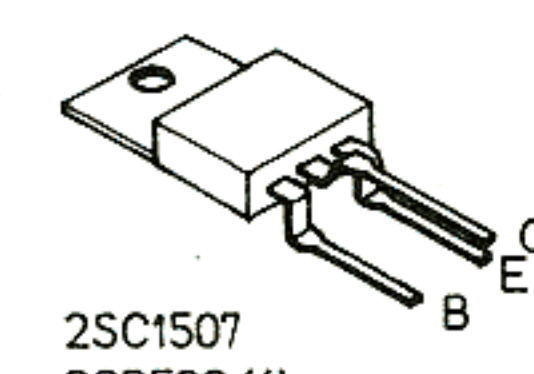
MODEL JB-1201M (E) / JB-1205M (E)  
SCHEMATIC DIAGRAM



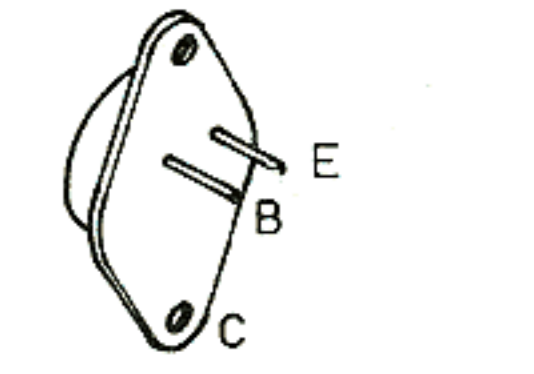
- 2SA733
- 2SC1318
- 2SC2002
- 2SC945
- 2SC828 .829
- 2SC836 .839
- 2SC1684
- 2SC1675



- 2SC2371
- 2SC2688



- 2SC1507
- 2SB536 (4)
- 2SB546



- 2SC940
- 2SC1684
- 2SC1618

E: EMITTER  
B: BASE  
C: COLLECTOR

- NOTE
1. ALL RESISTORS ARE SHOWN IN OHMS  
K = 10<sup>3</sup> M = 10<sup>6</sup>
  2. ALL RESISTORS ARE 1/4 WATT UNLESS OTHERWISE NOTED.
  3. CAPACITANCE VALUES ARE μFD UNLESS OTHERWISE NOTED.  
P = 10<sup>12</sup>
  4. ALL CAPACITORS ARE 50MV UNLESS OTHERWISE NOTED.
- REPLACEMENT PARTS WHICH HAVE SPECIAL SAFETY CHARACTERISTICS ARE IDENTIFIED BY ⚠️. REPLACE THESE CRITICAL COMPONENTS WITH RECOMMENDED REPLACEMENT PARTS DON'T DEGRADE THE SAFETY OF THE SET THROUGH IMPROPER SERVICING.

